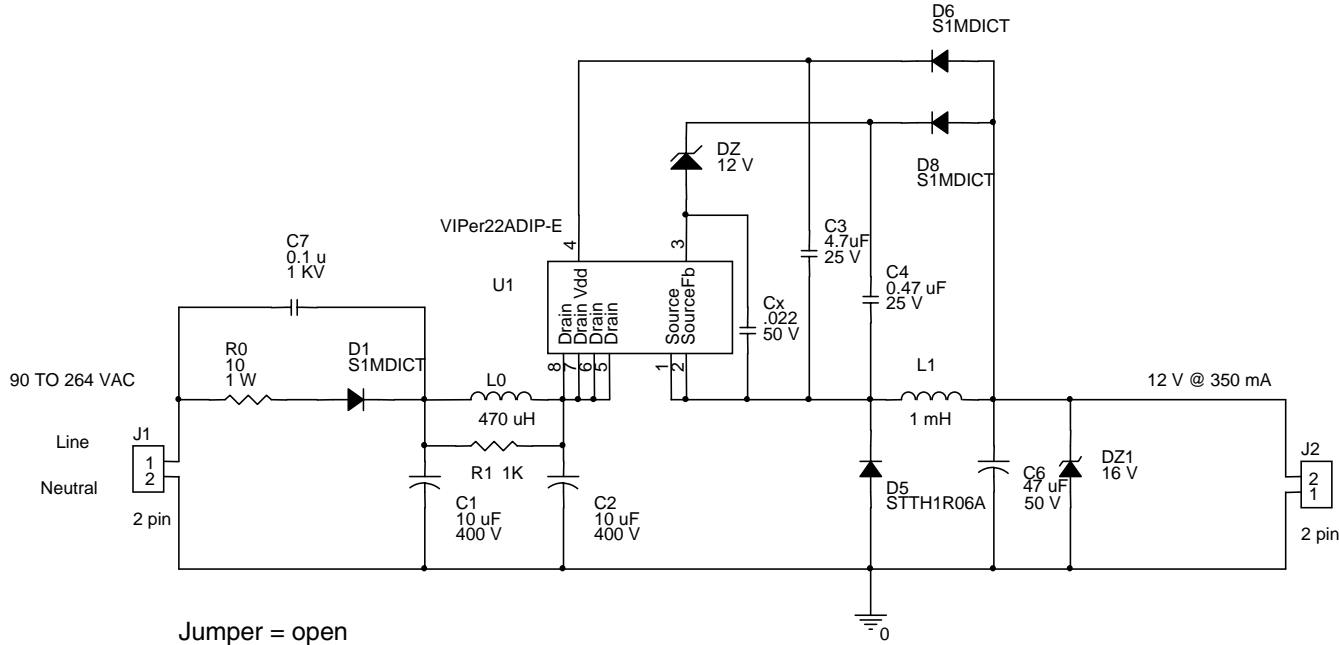


Figure 3. Schematic for 12 V at 350 mA



Jumper = open

For 12 V @ 200 ma change:
 C2 4.7 uF 400 V
 U1 VIPer12ADIP-E
 Jumper open